





# TECHNICAL DESCRIPTIONS

## 202110877 V01

CLIENT: ROMCONSORT

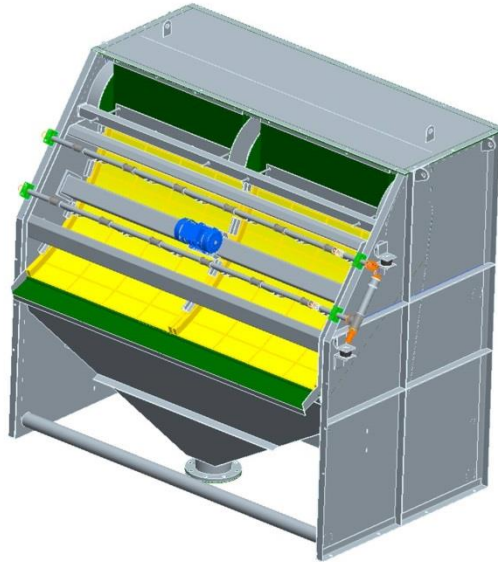
Nº OFFER: 202110877  
Fecha: 28/02/2022

 +91 467 76 85

 [info@ampmineral.com](mailto:info@ampmineral.com)

## TECHNICAL DESCRIPCION

### VIBROSIEVE VS 1500



3D Dewatering Screens picture

#### 1. MAIN FEATURES:

<b>Width:</b> 1.500 mm	<b>Length:</b> 1.200 mm	<b>Screen Material:</b> Polyurethane
<b>Total power:</b> 0,45 kW	<b>Screen surface:</b> 1,8 m <sup>2</sup>	<b>Weight aprox.:</b> 603 kg

#### 2. CONSTRUCTION:

- Frame manufactured in welded laminated steel plate, with profile sector reinforcement.
- Screens made of non-bolted modular polyurethane panels.
- Feed launder for slurry distribution in laminated steel, with optional rubber lining.
- Filtrate product launders in laminated steel plate, with optional rubber lining
- Driven by electric vibrator. Power 0,45 kW

## TECHNICAL SPECIFICATION

### CENTRIFUGAL PUMP ASSEMBLY AMP ® 8/6 E-MAR WITH ELECTRIC MOTOR OF 37 kW



<b>Ø SUCTION: 200 mm</b>	<b>Ø DISCHARGE: 150 mm</b>	<b>Weight: 1.955 kg</b>
<b>ELECTRIC MOTOR 37 kW</b>	<b>RPM: 1.500</b>	

**PUMP:** Cast iron casing split in two halves easily removable, bolted together and rigidly fastened to the frame.

**LINERS AND IMPELLER:** Replaceable rubber liners and impeller fabricated in abrasion and corrosion resistant materials.

**SHAFT:** Highly rigid shaft to minimize cavitation ensures full power transmission to meet maximum head and throughput requirements, mounted on heavy duty bearings grease lubricated, grant longer life time.

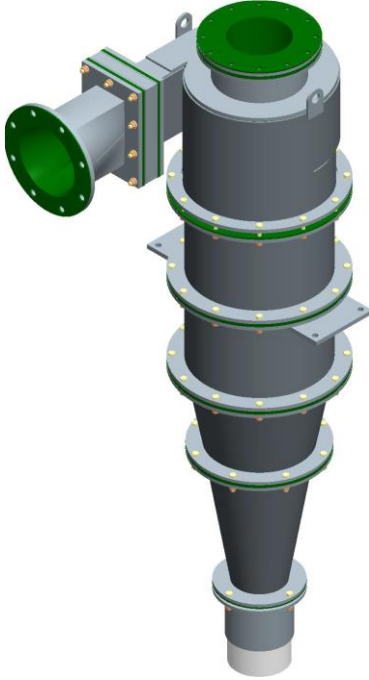
**MOTOR:** Electric motor B3 – IE3.

**SEAL:** centrifugal shaft seal, no gland water necessary.

**DRIVE:** with v-belts and pulleys.

## TECHNICAL DESCRIPTION

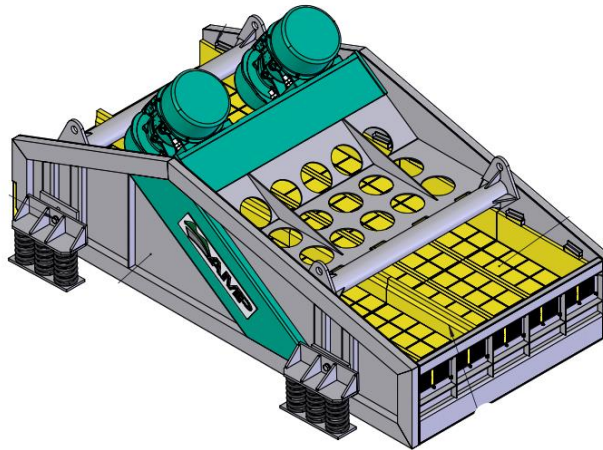
### HYDROCYCLONE SR Ø 625

HYDROCYCLONE AMP HYDROVORTEX ® SR 625	DIAMETER: 625 mm	Weight: 453 kg (Conical Bottom)
		
<p>Conical Bottom HC</p>		
<p><b>CASING:</b> Manufactured in mild steel with protective paint, rubber lined against abrasion and corrosion.</p> <p><b>COMPONENTS:</b> Modular system allowing fast and easy replacement of parts, connected by flanges. Feed part in involute-tangent shape to improve the laminar inlet flow.</p> <p><b>ADJUSTMENT PARTS:</b> Overflow, feed and apex stopper available to exchange the adequate provide performance within design parameters. Apex and final cone of hydrocyclone can be supplied in ceramic for a longer lifetime.</p> <p>AMP Hydrocyclones can be delivered in configuration “conical bottom” or “Flat Bottom”, which increases versatility.</p>		

## TECHNICAL DESCRIPCION

### SPLIT DEWATERING SCREEN AMP VIBROFLUX ®

#### MODEL VF – 43P



*3D Dewatering Screens picture*

#### 1. MAIN FEATURES:

<b>Width:</b> 1.736 mm	<b>Height:</b> 1.376 mm	<b>Lenght:</b> 2.541 mm
<b>Total power:</b> 10 kW	<b>Dewatering surface:</b> 2,88 m <sup>2</sup>	<b>Weight aprox.:</b> 1.531 kg

#### 2. CONSTRUCTION:

Trough fabricated in mild painted steel, forming a highly rigid, non-deformable assembly. Its walls are protected by replaceable, abrasion-resistant plates.

Filter mesh, formed by modular polyurethane or stainless steel panels. The special design of these panels, with trapezoidal cross-section mesh openings, together with their elasticity, prevent obstruction and blocking. The result is a larger effective filtering area than in other types of mesh. Thanks to the modular design, the position of the mesh in the panel can be changed to ensure a regular wear of each panel.

Back trough wall with modular openings for improved filtering.

Drive system comprising twin adjustable, heavy-duty, motor-vibrators for linear high-frequency, low amplitude vibration to reach optimal filtering for every specification. Total power 20 kW - IP 65 protection.

Dewatering screen divided in two sections for the treatment of two different sands.

## Advanced Mineral Processing S.L.

